

FleetCam Pro / Essential Installation Guide



Table of contents

General Instructions	3
Safety instructions.....	3
In the box.....	4
Dash Cam mounting.....	5
Power box installation (Pro Only).....	6
OBD-II power connection.....	7
JBUS power connection.....	8
Recommended tools & supplies.....	9
Approved hardwired termination methods.....	10
Prohibited hardwired termination methods.....	11
LED indicator.....	12
FleetCam Pro	13
OBD-II installation diagram.....	14
JBUS installation diagram.....	15
Hardwired installation diagram.....	16
V-Display installation.....	17
LCD installation diagram.....	18
FleetCam Pro with FC Hub	19
FleetCam Pro w/ Hub OBD-II installation diagram.....	20
FleetCam Pro w/ Hub JBUS installation diagram.....	21
FleetCam Pro w/ Hub hardwire installation diagram.....	22
FleetCam Essential	23
OBD-II installation diagram.....	24
JBUS installation diagram.....	25
Hardwired installation diagram.....	26

Safety Instructions

Installation Disclaimer

Installation should be performed by a qualified professional only.

If any installation help is needed, please reach out to FTS Support Desk for assistance:
866-221-1862 ext. 2 / support@ftsgps.com

Safety & Preparation

- Have vehicle parked in a location away from any moving traffic
- Allow yourself to have enough space where you can fully open the vehicles doors and work safely
- Make sure the installation location has adequate lighting
- Fuse any wires that carry electrical current
- Protect any wires/cables that exit the vehicle with grommet(s) & split loom

Perform Pre-/Post-Vehicle Inspection

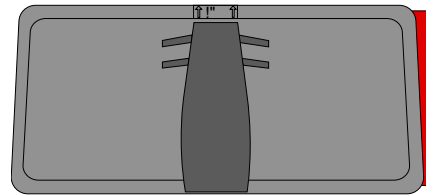
Please inspect functionality of items listed below before and after installation:

- **Headlights/Taillights**
- **Front/Rear blinkers**
- **Hazards**
- **Dash warning lights** (Ex: Check engine light, ABS light, Air bag light)
- **Vehicle body** (Note any obvious damage of exterior body panels)
- **Interior** (Note if dashboard or interior panels are damaged or cracked, also if any screws or clips are missing)
- **Vehicle: Start/Stop**
- **Radio**
- **Electric seats**
- **Windows**
- **Windshield**
- **Interior lights**

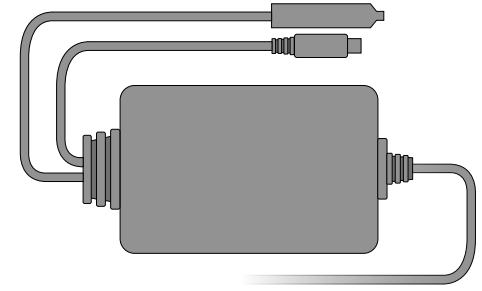
In the Box



FleetCam Pro / Essential

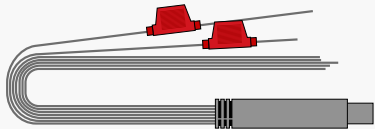


Mounting bracket



Power box harness or extension cable*

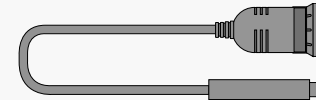
Power Cable Options



Hardwired harness



OBD-II harness



JBUS harness

*Includes power box harness for FleetCam Pro or extension cable for FleetCam Essential

Dash Cam Mounting

- Desired installation location is in the center of the windshield directly under the rear-view mirror (see figure 1 for reference). Vehicles with an angled split windshield will require an angled offset bracket to ensure the camera is properly aligned and pointing straight ahead. The bracket must be ordered separately from FleetCam or a FleetCam Reseller.
- If the center of the windshield is an obstruction to the driver's line of vision, the FleetCam can be offset towards the passenger side of the windshield (see figure 2 for reference). **Maximum offset measurement allowed is 4 inches (10.16 cm).**
- If camera is not installed in the center of the windshield, the offset measurements must be entered during the calibration process (see FleetCam Pro Titan User Guide (<https://www.ftsgps.com/support/>)).
- Clean the mounting surface with rubbing alcohol before adhering the mounting bracket to windshield.
- Adhere mounting bracket by pressing bracket firmly on the windshield (Up indication on mounting bracket must point towards the ceiling).
- Secure the FleetCam camera to the mounting bracket w/ provided Phillips screw.
- Adjust camera position to be as vertical as possible.
- Run cabling underneath headliner and behind A-Pillar panel down towards the drivers side of the dashboard.

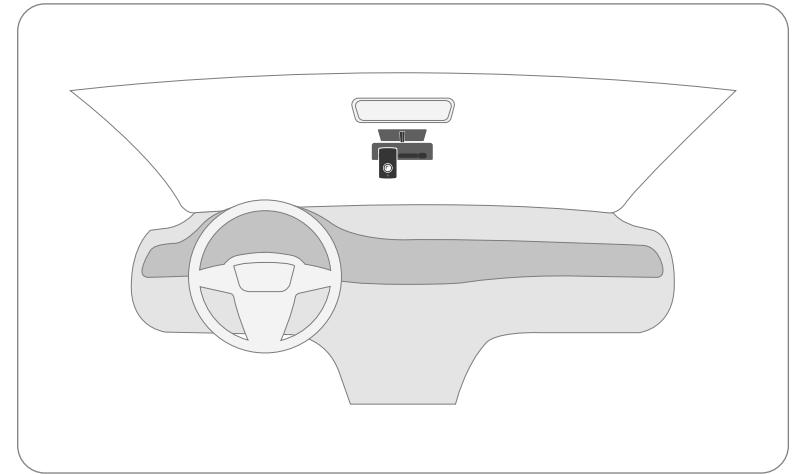


Fig. 1 Center Mount
(recommended)

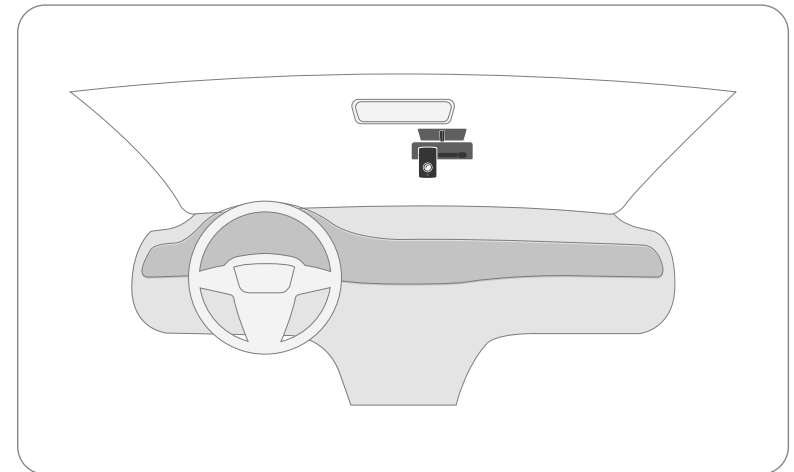


Fig. 2 Offset mount
(Should be no more than 4 inches.)

Power Box Installation

Adhere the power box to the chassis of the vehicle (underneath steering column area) via double sided tape.

For added security a zip-tie can also be used to secure the power box.



OBD-II Power Connection

Plug the OBD-II Cable connection into the vehicles OEM OBD-II Port, which is normally located under the steering column on the driver side of the vehicle.

A splitter cable (optional) can also be used to hide the cabling behind the dashboard for a more covert type of installation.

After installation has been completed, follow the steps in Titan User Manual (<https://www.ftsgps.com/support/>) to calibrate your FleetCam Pro / Essential setup.

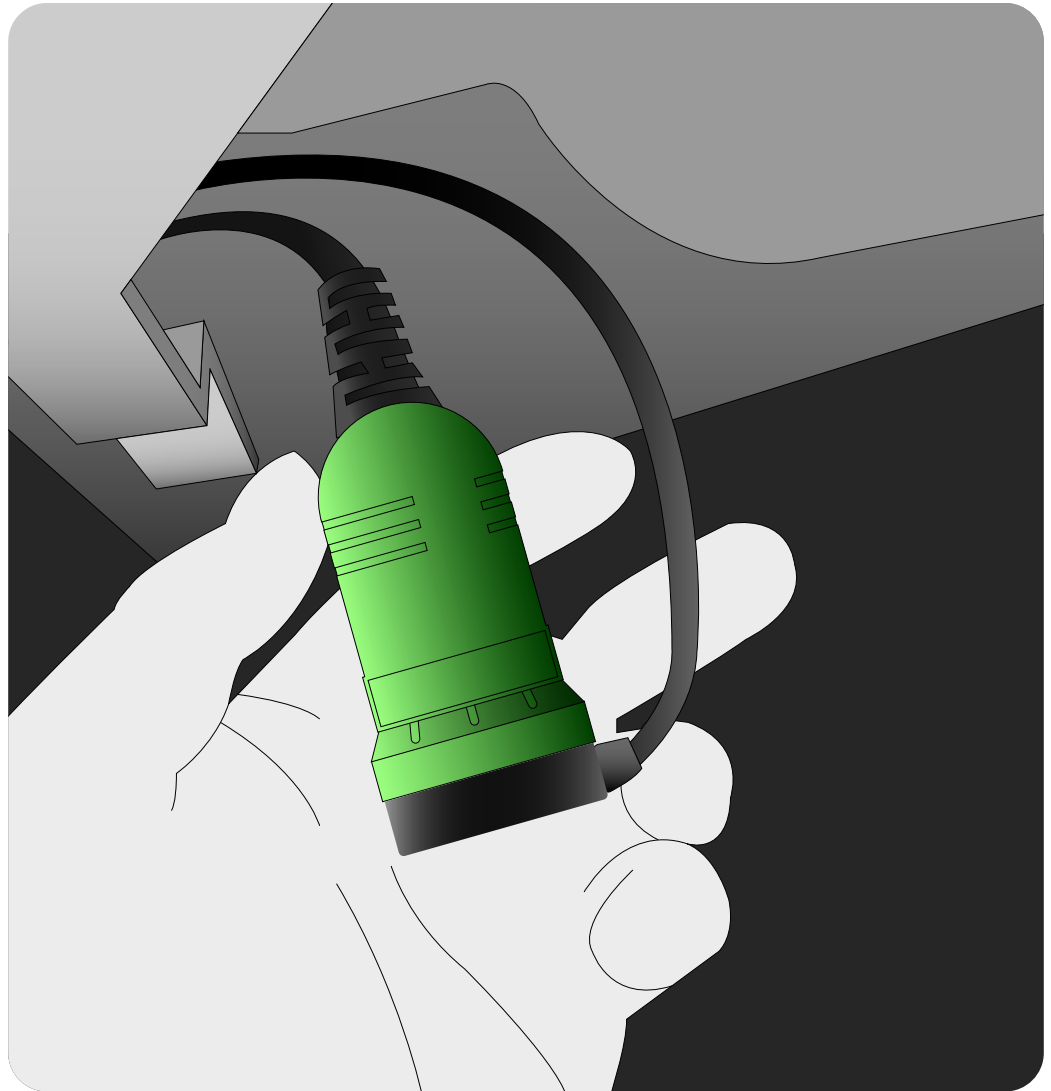


JBUS Power Connection

Plug the JBUS Cable connection into the vehicles OEM JBUS Port, which is normally located under the steering column on the driver side of the vehicle.

A splitter cable (optional) can also be used to hide the cabling behind the dashboard for a more covert type of installation.

After installation has been completed, follow the steps in Titan User Manual (<https://www.ftsgps.com/support/>) to calibrate your FleetCam Pro / Essential setup.



Recommended Tools & Supplies

for Hardwire & Multi-Cam Installations

Tools

Cordless drill

Drill bit kit

Unibit

1/4" Ratchet

1/4" Socket set (Recommended sizes: 5 mm to 17 mm)

Screwdrivers (Phillips & Flathead)

Allen key set

Torx key set

Panel removal kit

Wire strippers/crimpers/cutters

DC Multimeter

Razor knife

Tape measure

Supplies

Zip-ties

Electrical tape

Heat shrink butt connectors

Heat shrink ring terminals

Fuse holders w/ fuses

Add-A-Fuse adapters

Grommets

Split loom

P-Clamps

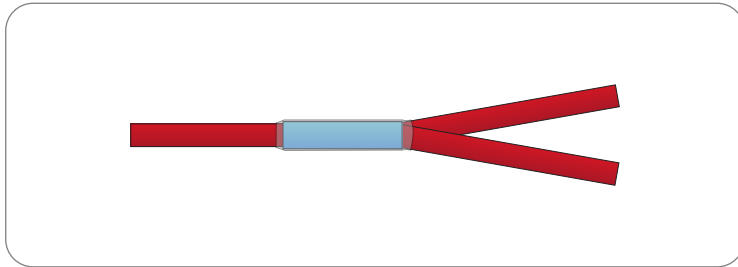
RTV silicone

Rubbing alcohol

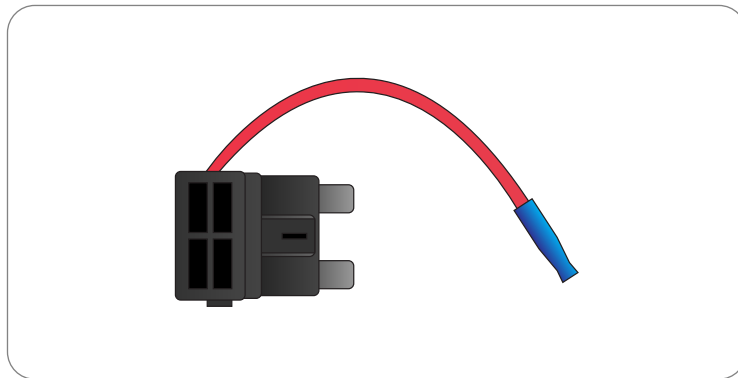
Butane torch

Rags

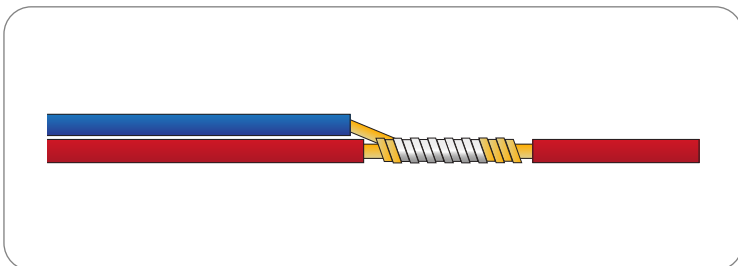
Approved Hardwired Termination Methods



Heat Shrink Butt Connectors



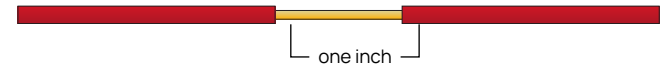
Add-A-Fuse Adapters



Soldering

Poke & Wrap

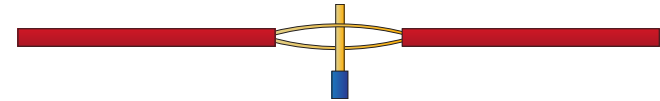
1. Strip back one inch of the insulation on the vehicle wire.



2. Separate the strands of the vehicle wire to create a hole.



3. Insert the wire from the remote starter/bypass through the hole.



4. Wrap the wire around one side, then the other, and finally itself.



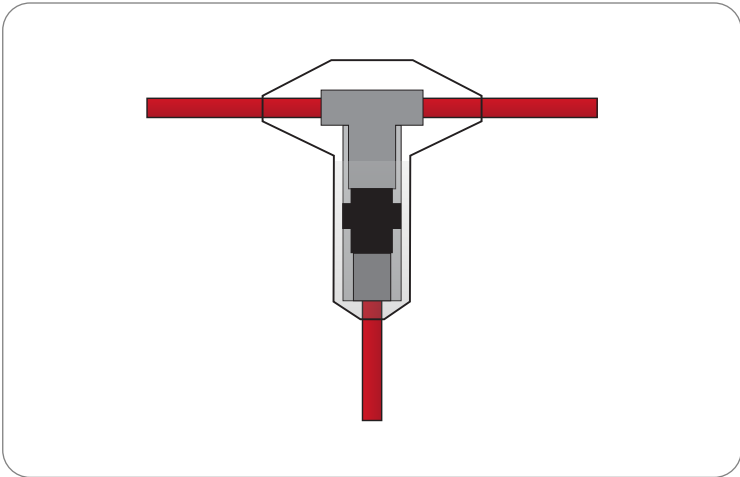
5. Lay the starter wire along side the vehicle wire.



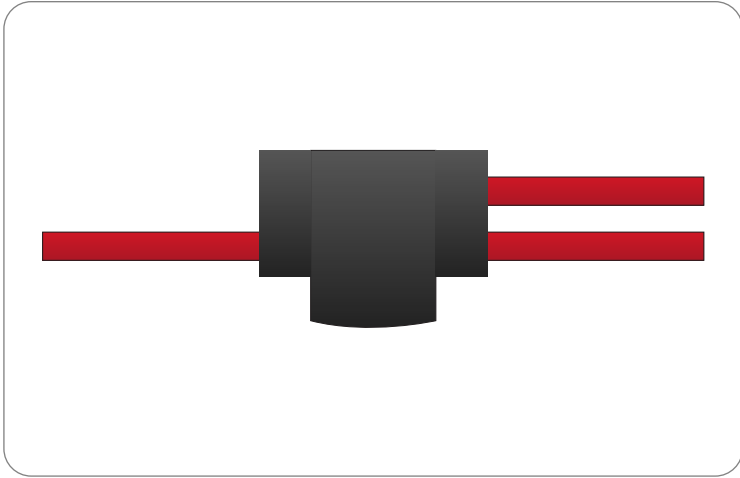
6. Tape connection, and wire tie remote start/bypass and vehicle wires together.



Prohibited Hardwired Termination Methods



T-Tap connectors (poor connection)









Scotch lock connectors (poor connection)



Non-sealing butt connectors (allows for moisture and corrosion)

LED Indicator

LED	Name	Description	Icon
1	Power	Off: The device is not powered on Steady green: The device is powered normally	
2	Alarm	Off: The device is not currently uploading data Red flashes three times: The device is uploading data	
3	GPS	Off: Normal Steady red: No GPS, or module may be malfunctioning Red flash (once per second): GPS reception is poor	
4	Network Status Indicator	Off: The device is connected to the server normally Steady red: The device is not connected to the server	
5	Wi-Fi	Off: The device is in Disable or Client mode Steady green: The device is in AP mode Steady red: There is an issue with the Wi-Fi	
6	Recording	Off: The built-in or extended camera is operating normally Steady red: The built-in or extended camera stopped recording (including privacy mode)/failed	



FleetCam Pro Installation

FleetCam Pro OBD-II Installation Diagram

* FC PRO MODEL ONLY

1 FleetCam Pro Camera

- Adhere the camera to the center of the windshield directly under the rear view mirror.
- Clean the mounting surface with rubbing alcohol before mounting.
- If the center of the windshield is an obstruction to the driver's line of vision the FC Pro can be offset towards the passenger side of the windshield.
- Maximum offset measurement allowed is 4 inches.
- Adjust camera position to be as vertical as possible.

2 Power Box (used to sense vibration)

Adhere the power box to the chassis of the vehicle via double sided tape.

3 OBD-II Connection

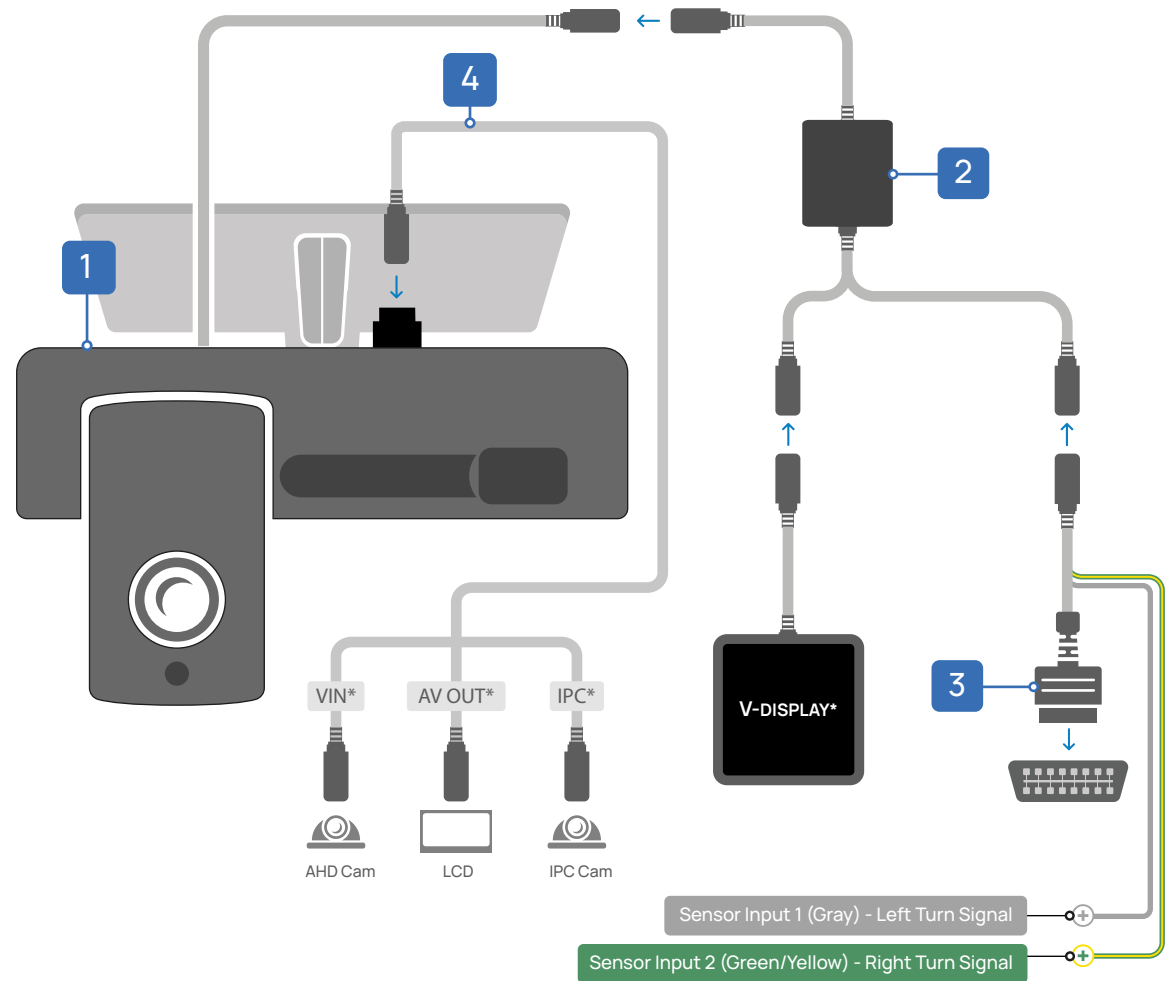
Plug the OBDII connection into the vehicle's OEM OBD-II port.

Optional (used for Lane Departure)

- Gray wire (sensor input 1) to left turn signal (+).
- Green/yellow wire (sensor input 2) to right turn signal (+).

4 Video In/Out Cable

Used for LCD and auxiliary cams.



Hardwired Installation Diagram

* FC PRO MODEL ONLY

1 FleetCam Pro Camera

Light Duty Vehicles:

- Adhere the camera to the center of the windshield directly under the rear view mirror.
- Clean the mounting surface with rubbing alcohol before mounting.

Heavy Duty Vehicles:

- Adhere the camera to the center of the windshield in the top 2 inches of the wiper path.
- Clean the mounting surface with rubbing alcohol before mounting.
- If the center of the windshield is an obstruction to the driver's line of vision the FC Pro can be offset towards the passenger side of the windshield.
- Maximum offset measurement allowed is 4 inches.
- Adjust camera position to be as vertical as possible.

2 Power Box (used to sense vibration)

Adhere the power box to the chassis of the vehicle via double sided tape.

3 Hardwired

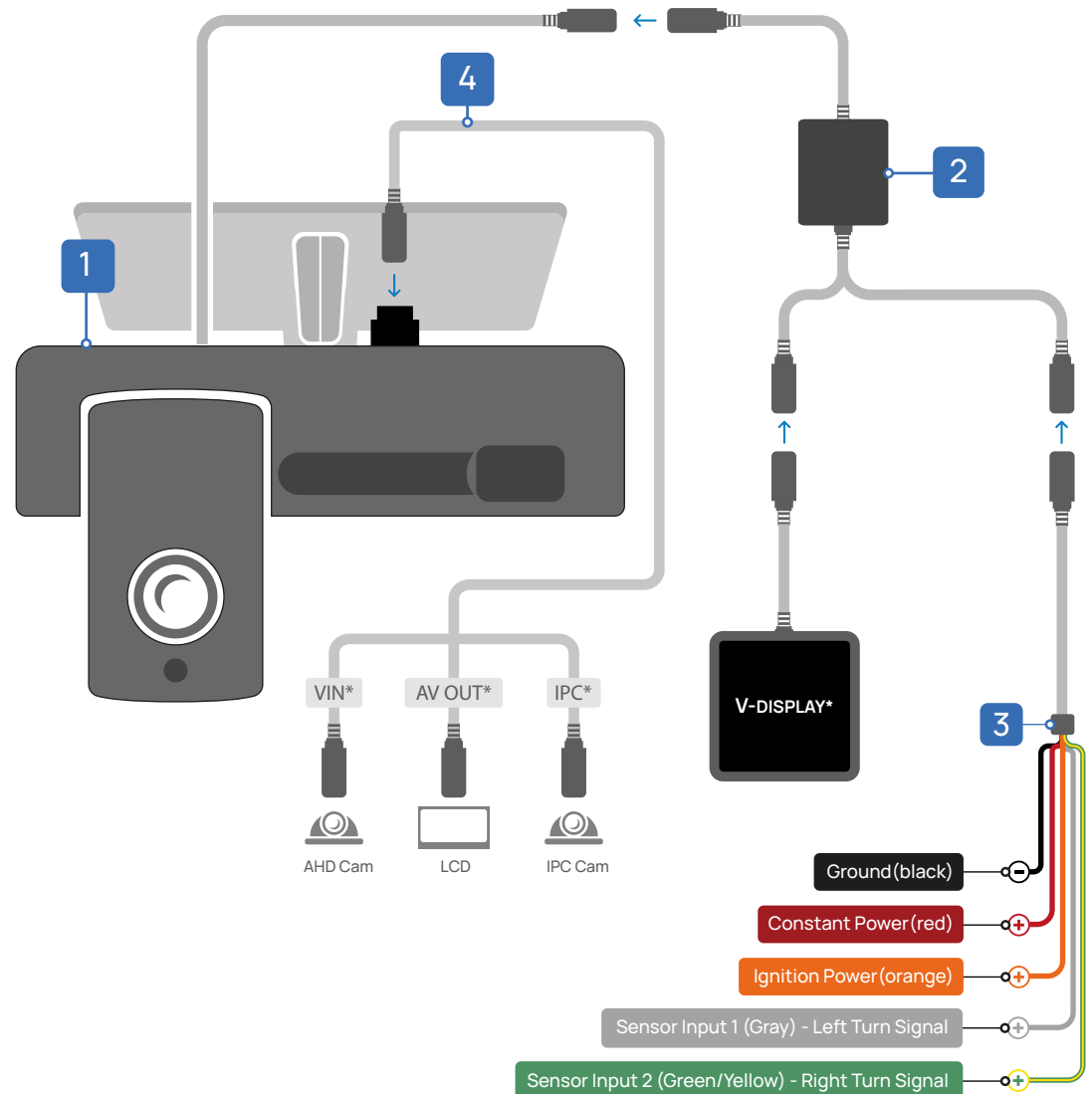
- Red wire to constant power source (+).
- Orange wire to ignition power source (+).
- Black wire to chassis ground (-).

Optional (used for Lane Departure)

- Gray wire (sensor input 1) to left turn signal (+).
- Green/yellow wire (sensor input 2) to right turn signal (+).

4 Video In/Out Cable

Used for LCD and auxiliary cams.

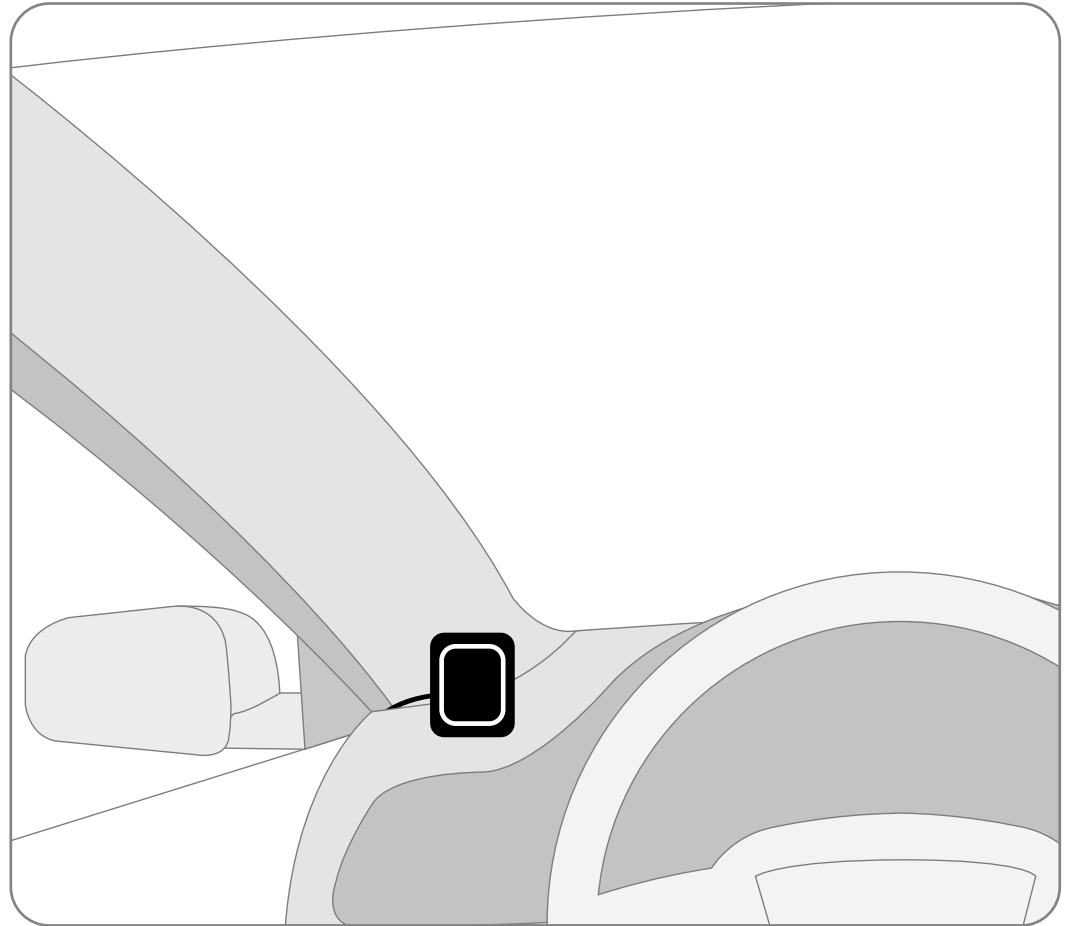


V-Display Installation

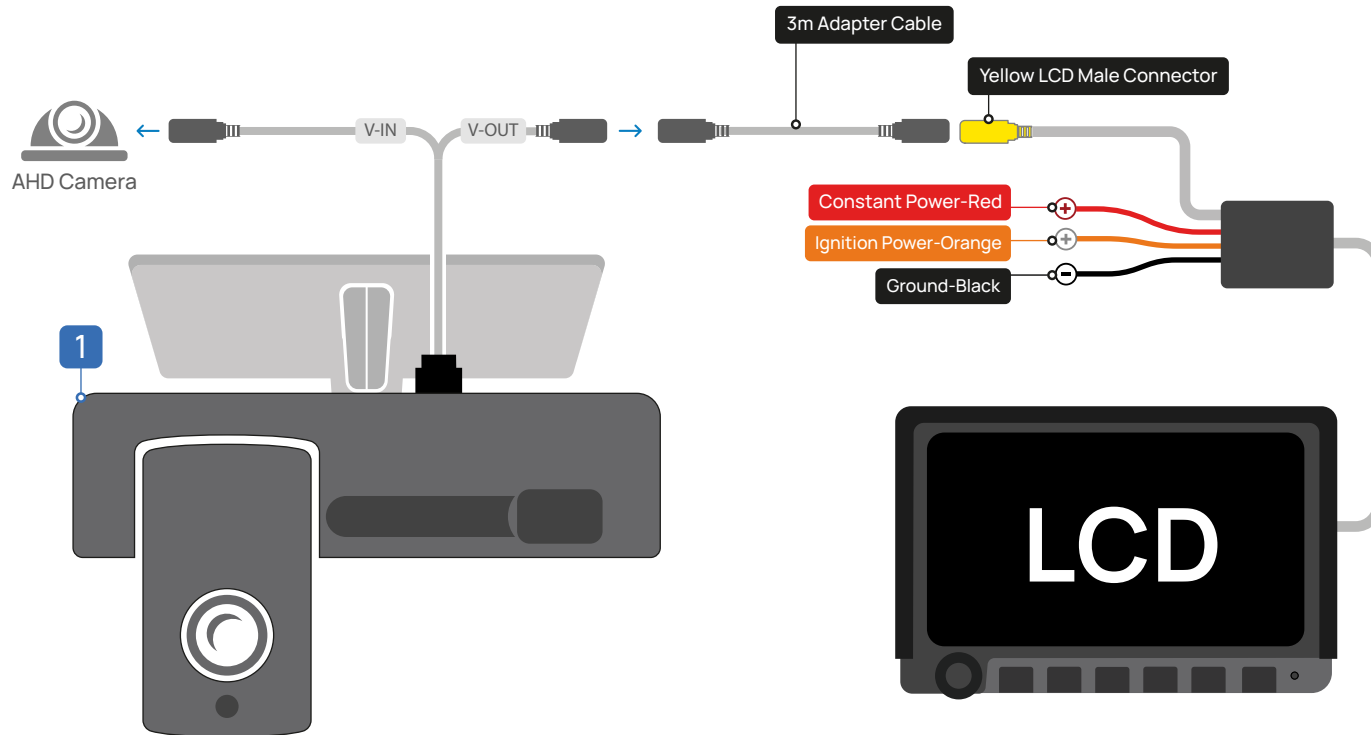
The Adhere V-Display to the top of the dashboard in a location easily viewable by the driver.

Clean surface with rubbing alcohol before adhering V-Display.

For a cleaner installation, run V-Display cable behind dashboard.



FleetCam Pro LCD Installation Diagram



FleetCam Pro with FleetCam Hub

FleetCam Pro w/ Hub OBD-II Installation Diagram

1 FleetCam Pro Camera

Adhere the camera to the **center of the windshield directly under the rear view mirror**. Clean the mounting surface with alcohol before mounting. Adjust camera position to be as vertical as possible.

2 Driver Cam Adjustment

Adjust the driver cam lens so that the driver's face is just above the center line of the live stream view.

3 FleetCam Hub (used to sense vibration)

Secure hub to the chassis of the vehicle.

4 OBD-II and OBD-II port.

Plug the **OBD-II connection** into the **vehicle's OEM OBD-II port**.

5 V-Display

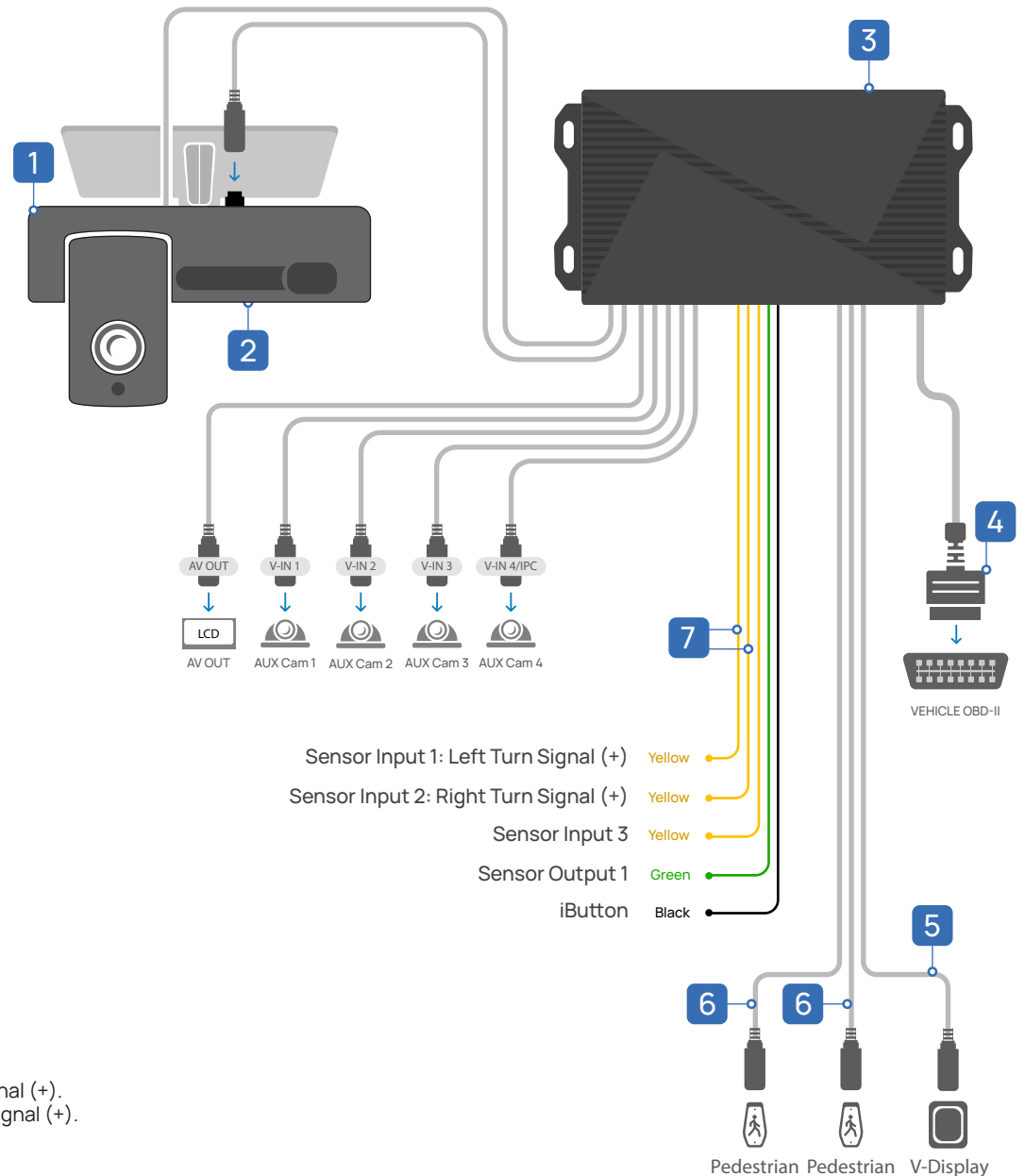
Adhere the V-Display to the **top of the dashboard** in a location easily viewable to the driver. Clean surface with alcohol before adhering.

6 Pedestrian Alert

Install pedestrian alert module(s) **on the exterior rear side of the vehicle**.

7 Turn Signals

Optional: Connect the **Yellow** wire labeled Sensor Input 1 to left turn signal (+).
Optional: Connect the **Yellow** wire labeled Sensor Input 2 to right turn signal (+).



FleetCam Pro w/ Hub JBUS Installation Diagram

1 FleetCam Pro Camera

Adhere the camera to the **center of the windshield directly under the rear view mirror**. Clean the mounting surface with alcohol before mounting. Adjust camera position to be as vertical as possible.

2 Driver Cam Adjustment

Adjust the driver cam lens so that the driver's face is just above the center line of the live stream view.

3 FleetCam Hub (used to sense vibration)

Secure hub to the chassis of the vehicle.

4 JBUS Connection

Plug the **JBUS** connection into the **vehicle's OEM JBUS port**.

5 V-Display

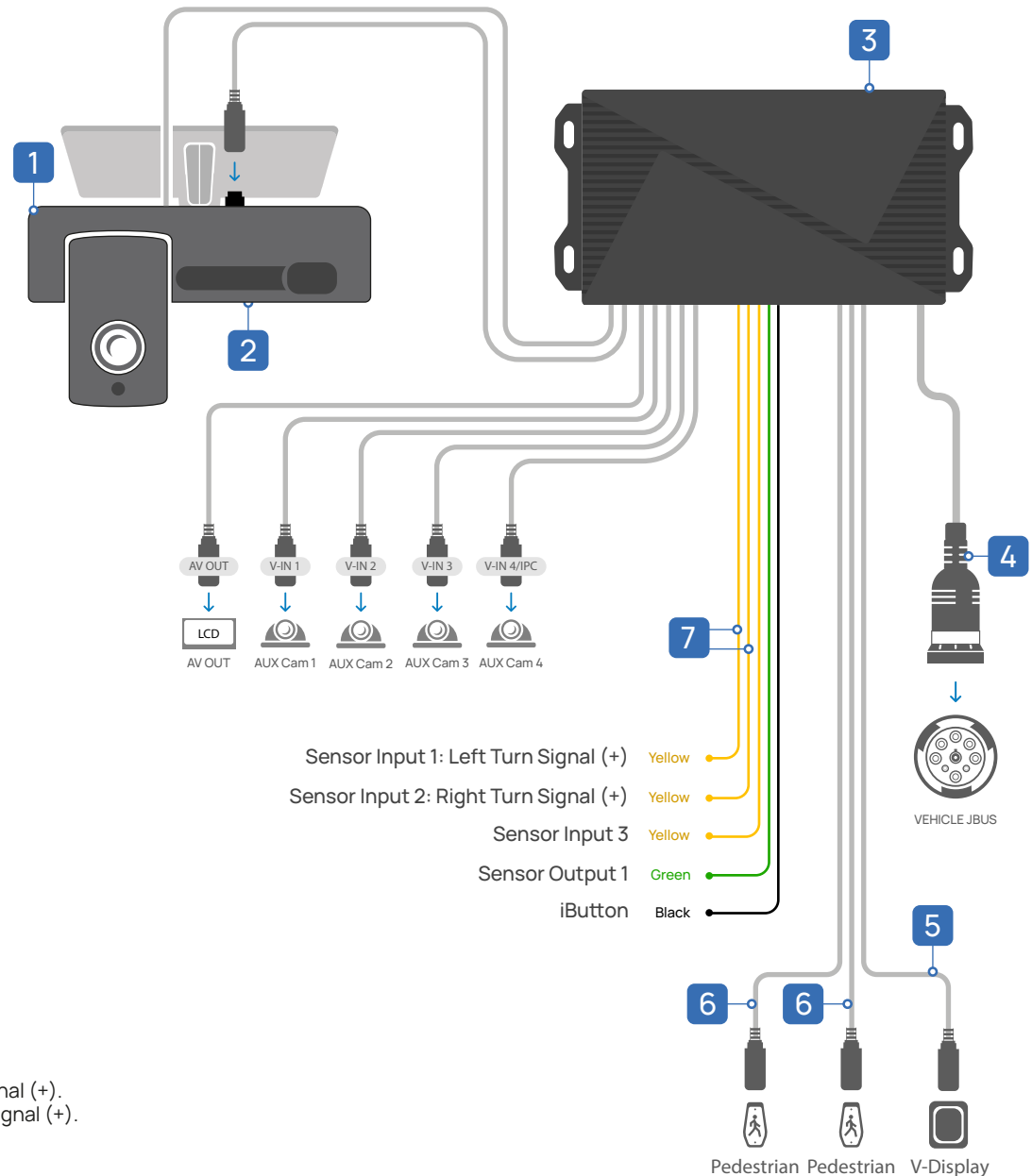
Adhere the V-Display to the **top of the dashboard** in a location easily viewable to the driver. Clean surface with alcohol before adhering.

6 Pedestrian Alert

Install pedestrian alert module(s) **on the exterior rear side of the vehicle**.

7 Turn Signals

Optional: Connect the **Yellow** wire labeled Sensor Input 1 to left turn signal (+).
Optional: Connect the **Yellow** wire labeled Sensor Input 2 to right turn signal (+).



FleetCam Pro w/ Hub Hardwire Installation Diagram

1 FleetCam Pro Camera

Adhere the camera to the **center of the windshield directly under the rear view mirror**. Clean the mounting surface with alcohol before mounting. Adjust camera position to be as vertical as possible.

2 Driver Cam Adjustment

Adjust the driver cam lens so that the driver's face is just above the center line of the live stream view.

3 FleetCam Hub (used to sense vibration)

Secure hub to the chassis of the vehicle.

4 Power, Ignition, Ground

Connect the **Red** wire to constant **power source**.
Connect the **Orange** wire to **ignition** power source.
Connect the **Black** wire to chassis **ground**.

5 V-Display

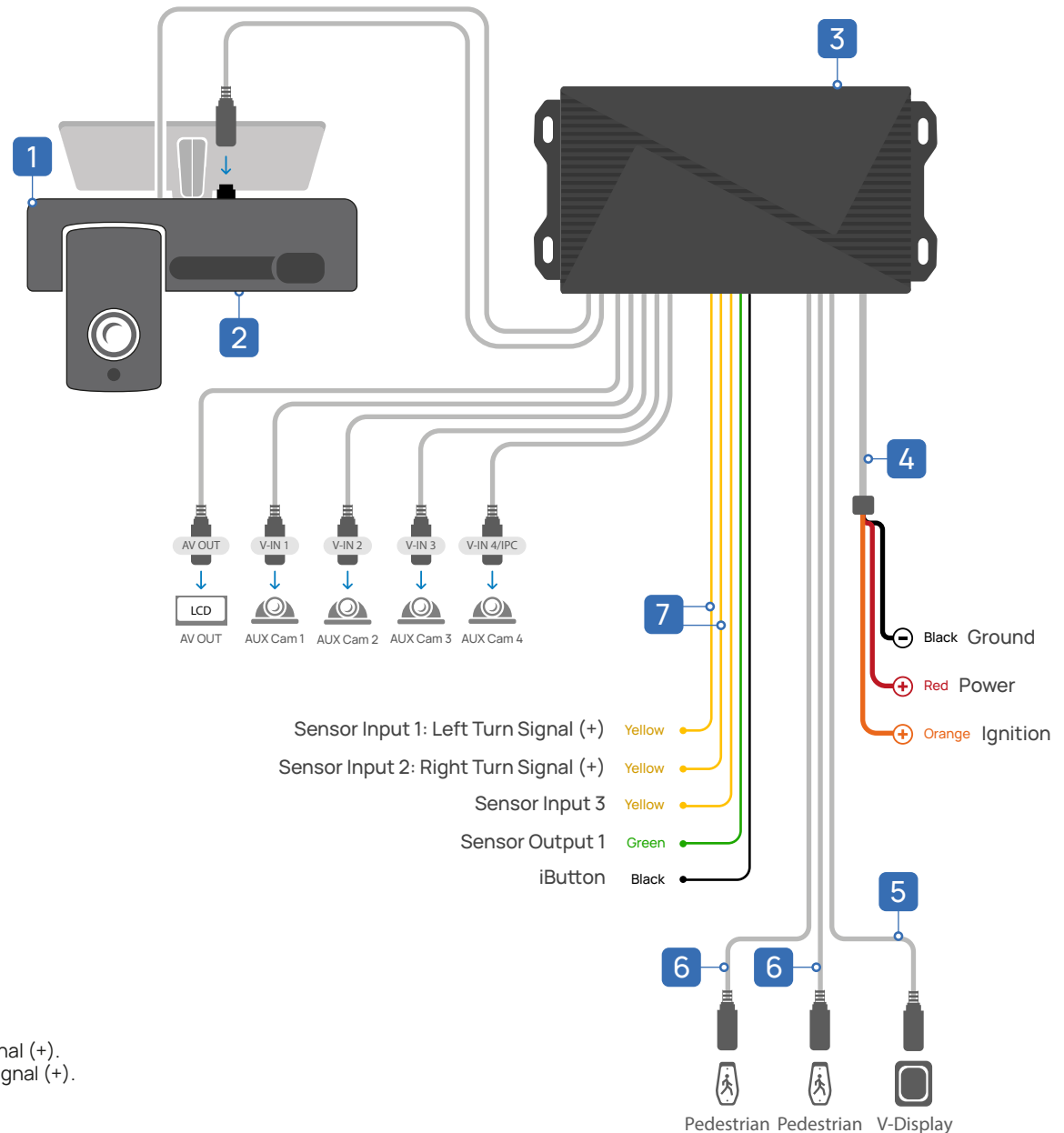
Adhere the V-Display to the **top of the dashboard** in a location easily viewable to the driver. Clean surface with alcohol before adhering.

6 Pedestrian Alert

Install pedestrian alert module(s) **on the exterior rear side of the vehicle**.

7 Turn Signals

Optional: Connect the **Yellow** wire labeled Sensor Input 1 to left turn signal (+).
Optional: Connect the **Yellow** wire labeled Sensor Input 2 to right turn signal (+).



FleetCam Essential Installation

FleetCam Essential OBD-II Installation Diagram

1 FleetCam Essential Camera

- **Adhere the camera to the center** of the windshield directly **under the rear view mirror**.
- **Clean the mounting surface** with rubbing alcohol before mounting.
- If the center of the windshield is an obstruction to the driver's line of vision the FC Essential can be offset towards the passenger side of the windshield.
- **Maximum offset** measurement allowed is **4 inches**.
- **Adjust camera position** to be **as vertical as possible**.

2 Extension Cable

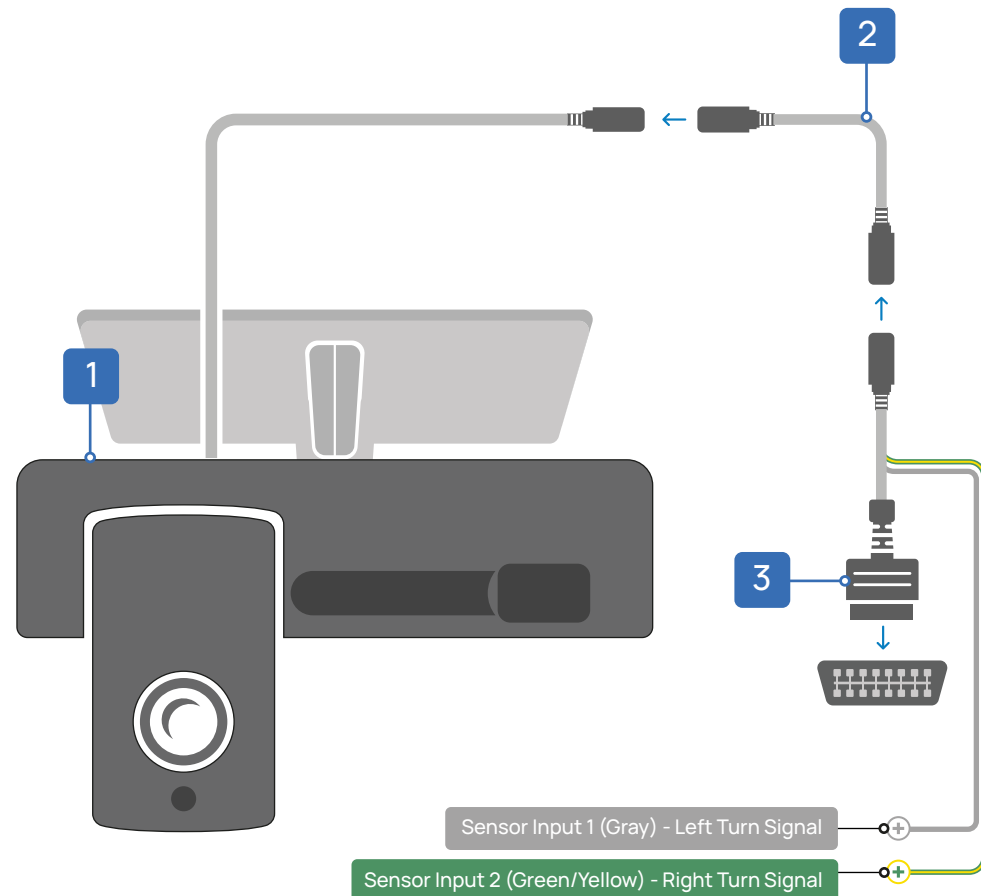
Connect the **extension cable** to the camera and OBD-II connection.

3 OBD-II Connection

Plug the **OBD-II connection** into the **vehicle's OEM OBD-II port**.

Optional (used for Lane Departure)

- **Gray wire** (sensor input 1) to **left turn signal (+)**.
- **Green/yellow wire** (sensor input 2) to **right turn signal (+)**.



FleetCam Essential JBUS Installation Diagram

1 FleetCam Essential Camera

- Adhere the camera to the center of the windshield in the top 2 inches of the wiper path.
- Clean the mounting surface with rubbing alcohol before mounting.
- If the center of the windshield is an obstruction to the driver's line of vision the FC Essential can be offset towards the passenger side of the windshield.
- Maximum offset measurement allowed is 4 inches.
- Adjust camera position to be as vertical as possible.

2 Extension Cable

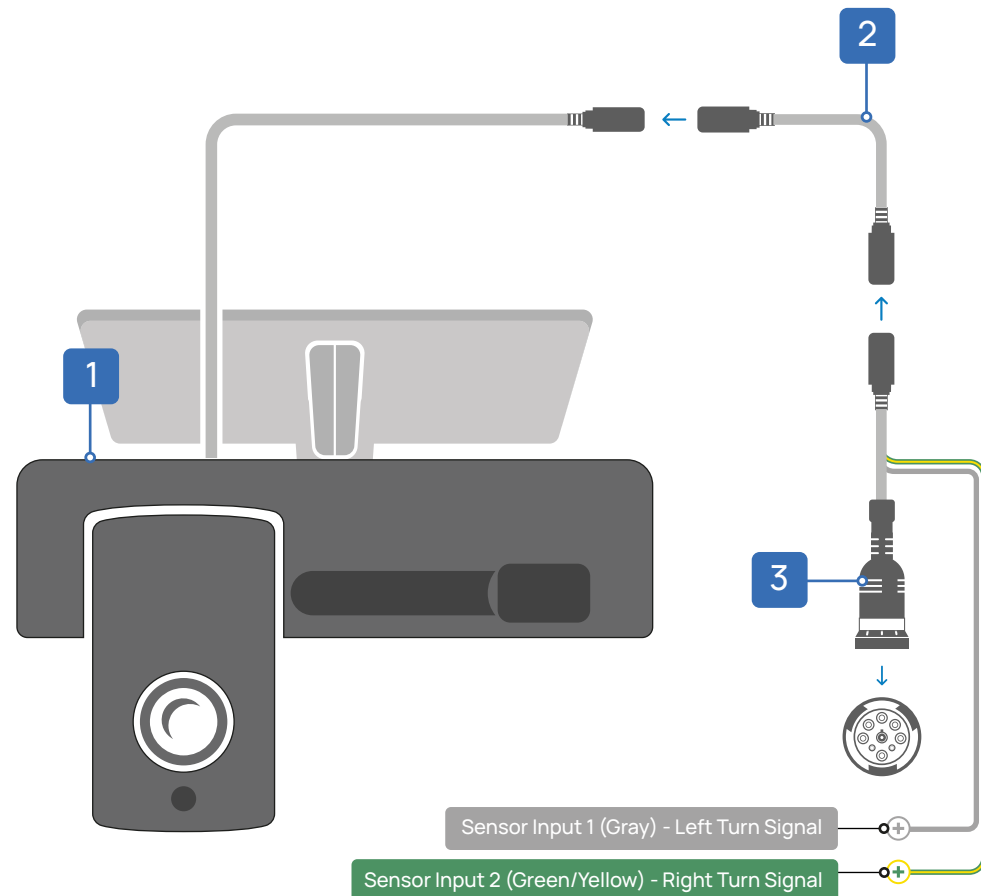
Connect the extension cable to the camera and JBUS connection.

3 JBUS Connection

Plug the JBUS connection into the vehicle's OEM JBUS port.

Optional (used for Lane Departure)

- Gray wire (sensor input 1) to left turn signal (+).
- Green/yellow wire (sensor input 2) to right turn signal (+).



FleetCam Essential Hardwired Installation Diagram

1 FleetCam Essential Camera

Light Duty Vehicles:

- Adhere the camera to the center of the windshield directly under the rear view mirror.
- Clean the mounting surface with rubbing alcohol before mounting.

Heavy Duty Vehicles:

- Adhere the camera to the center of the windshield in the top 2 inches of the wiper path.
 - Clean the mounting surface with rubbing alcohol before mounting.
-
- If the center of the windshield is an obstruction to the driver's line of vision the FC Essential can be offset towards the passenger side of the windshield.
 - **Maximum offset** measurement allowed is **4 inches**.
 - **Adjust camera** position to be **as vertical as possible**.

2 Extension Cable

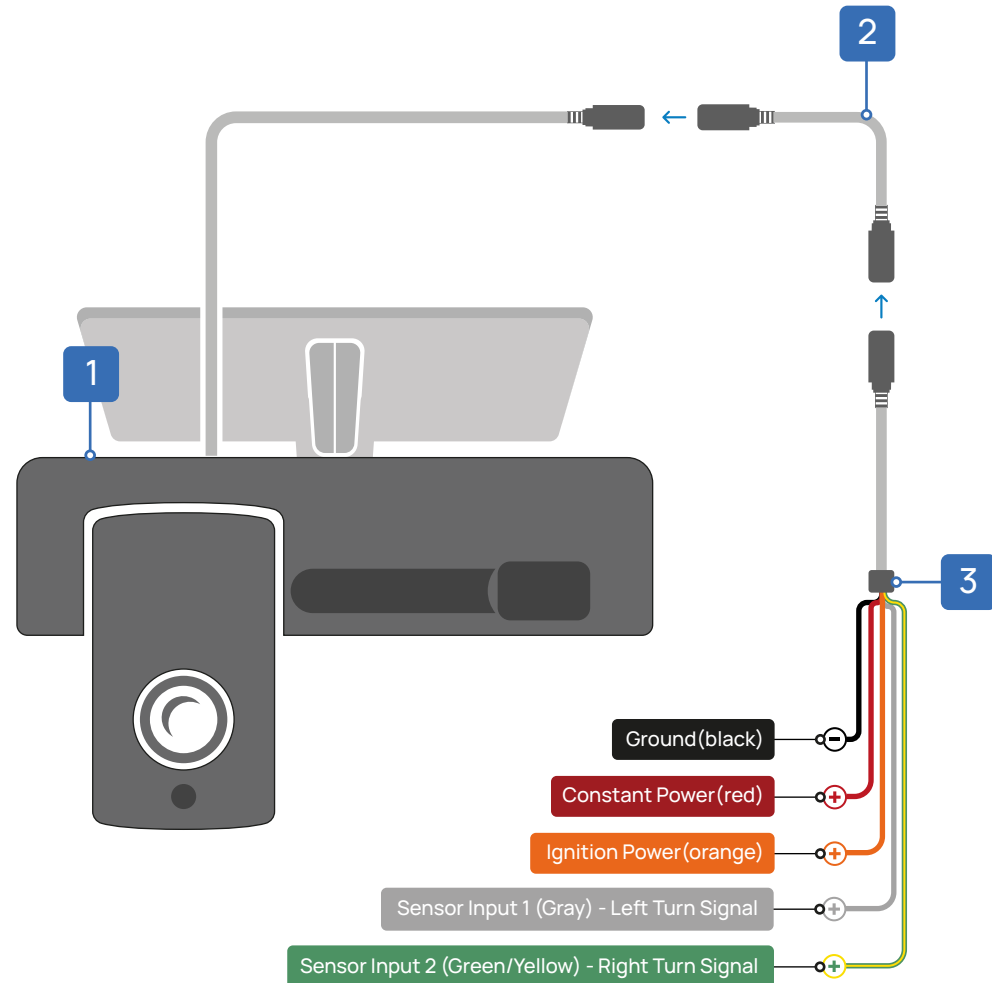
Connect the extension cable to the camera and Hardwire connection.

3 Hardwired

- Red wire to constant power source (+).
- Orange wire to ignition power source(+).
- Black wire to chassis ground(-).

Optional (used for Lane Departure)

- Gray wire (sensor input 1) to left turn signal (+).
- Green/yellow wire (sensor input 2) to right turn signal (+).



Legal Disclaimer

This installation guide contains important safety and operating information. Read and follow all instructions carefully before beginning installation. Failure to comply with these instructions could result in property damage, personal injury, or death.

Installation should be performed only by qualified professionals who are familiar with automotive electrical systems. Improper installation may damage vehicle systems or void manufacturer warranties.

The installer assumes all liability for proper installation and compliance with applicable safety standards, regulations, and local laws. Forward Thinking Systems disclaims any liability for improper installation or use of this product.

Specifications and procedures outlined in this guide are subject to change without notice. For the most current installation information, contact Forward Thinking Systems technical support or visit our Knowledge Base, <https://www.ftsgps.com/support/>.

If any assistance is needed, please reach out to: FTS Support Desk for assistance: 866-221-1862 ext. 2/ support@ftsgps.com.