



FleetCam®

## Enterprise 8

- Supports up to 8 channels of video recording
- Built-in 6-axis accelerometer
- Rugged Metal Design with Anti-Tamper Lock
- Easy live & historical video streaming
- Two-way WiFi, 4G, & LTE communication

FleetCam Enterprise 8 supports up to eight separate cameras, helping you to monitor your vehicle and improve driver safety and accountability. It features easy installation, AI safety event detection and in-cab alerts, two-way communication, and supports 1920x1080p HD footage.

---

### Remote Live & Historical Video Streaming

FleetCam Enterprise 8 allows managers to easily view historical footage or live streams without having to access the vehicle or pull SD cards.

---

### Multiple Video Channels

FleetCam Enterprise 8 supports up to eight 1920x1080p HD camera feeds for monitoring around and within your vehicles.

---

### Effortless Communication

Built-in Wi-Fi, 4G, & LTE communication helps to ensure your feeds remain uninterrupted so you can get the most out of your fleet, no matter where your drivers are.

---

### Life-Saving Safety Features

FleetCam Enterprise 8 helps to detect and prevent lane departures, unsafe following distance, phone usage, smoking, driver fatigue, and more with optional ADAS and DMS technology.

## VIDEO/AUDIO

<b>Input</b>	4-channel AHD + 4-channel IPC
<b>Output</b>	2 channels (CVBS + VGA)
<b>Total Resources</b>	PAL 4 × 1080p @ 11 FPS (AHD) + 4 × 1080p @ 30 FPS (IPC) Or 4 × 720p @ 25 FPS (AHD) + 4 × 1080p @ 30 FPS (IPC) NTSC 4 × 1080p @ 11 FPS (AHD) + 4 × 1080p @ 30 FPS (IPC) Or 4 × 720p @ 30 FPS (AHD) + 4 × 1080p @ 30 FPS (IPC)
<b>Video Signal Standards</b>	Level: 1 Vpp; impedance: 75 ohm NTSC/PAL (optional)
<b>Input</b>	8 channels (4-channel AHD + 4-channel IPC)
<b>Output</b>	1 channel
<b>Audio Signal Standards</b>	Level: 2 Vpp; input impedance: 4.7 kilohm

## POSITIONING

<b>GPS</b>	Positioning, speed detection, and time synchronization, GPS L1 1575.42 MHz, BD B1 1561.098MH GALILEO E1B/C1, GLONASS L1OF 1602MHz SBAS: WAAS, EGNOS, MSAS, GAGAN
<b>G-Sensor</b>	Built-in 6-axis inertial sensor
<b>HDD/SSD</b>	1 × 2.5" SATA HDD or SSD,
<b>SD</b>	Thickness: 7/9.5/15 mm; hard disk heating: supported Hot-swapping 32/64/128/256 GB SDXC

## NETWORK

<b>3G/4G</b>	Supported <b>For North America</b> LTE FDD: B2/B4/B5/B12/B13/B14/B66/B71 WCDMA: B2/B4/B5 <b>For Europe and Asia</b> LTE FDD: B1/B3/B7/B8/B20/B28A WCDMA: B1/B8 GSM: B3/B8 <b>For Latin America</b> LTE FDD: B1/B2/B3/B4/B5/B7/B8/B28 LTE TDD: B40 WCDMA: B1/B2/B5/B8 GSM: B2/B3/B5/B8
<b>WIFI</b>	802.11a/b/g/n/ac
<b>Ethernet</b>	RJ45 × 1 (10/100M)

## RECORDING

<b>Video Compr. Format</b>	H.264/H.265
<b>Audio Compr. Format</b>	ADPCM, G.711U
<b>Image Resolution</b>	PAL 1080P (1920 × 1080), 720P (1280 × 720), WD1 (928 × 576), WHD1 (928 × 288), WCIF (464 × 288), D1 (704 × 576), HD1 (704 × 288), CIF (352 × 288); NTSC 1080P (1920 × 1080), 720P (1280 × 720), WD1 (928 × 480), WHD1 (928 × 240), WCIF (464 × 240), D1 (704 × 480), HD1 (704 × 240), CIF (352 × 240); Digital 1080P (1920 × 1080), 720P (1280 × 720);

## PORT

<b>USB</b>	1 × USB2.0 (Type A) + 1 × USB2.0 (Type B)
<b>SD</b>	1 × SD card slot
<b>SIM</b>	1 × SIM card slot
<b>Serial Port</b>	2 × RS232, 2 × RS485 (1 × V-DISPLAY)
<b>IO</b>	8-channel input and 2-channel output
<b>Pulse Speed Detection</b>	1 channel
<b>Control Panel</b>	CP4
<b>Intercom</b>	1 × MIC port (CP4)

## POWER SUPPLY

<b>Input</b>	DC 8 - 36 V
<b>Output</b>	5 V@500 mA & 12 V@500 mA
<b>Maximum Typical Power Consumption</b>	50 W
<b>Standby Power Consumption</b>	≈ 0 W

## ENVIROMENT

<b>Operating Temperature</b>	-40°C to +70°C (heated, without hard disks)
<b>Operating Humidity</b>	8% to 95% (non-condensing)

## DISPLAY

<b>Screen Split</b>	1/4/9-screen display
---------------------	----------------------

## PHYSICAL

<b>Dimensions (mm)</b>	281 × 167 × 92.8 (with the bracket and rear shield)
<b>Weight (kg)</b>	2.4 kg (without hard disks)

## DRIVER EVENTS VIA OPTIONAL AI KIT

### ADAS FEATURES

Driver Monitoring System



Following Distance Warning



Forward Collision Warning



Lane Departure

### HARSH EVENTS



Harsh Cornering



Harsh Accelerating



Harsh Braking

### OTHER



No Driver Detected



SOS/PTO Event



Camera Covered

### DMS FEATURES

Driver Monitoring System



Driver Distracted



Driver Fatigued



Driver Smoking



Driver Using Cell Phone



No Seat Belt

### OPTIONAL AI KIT



ADAS Camera

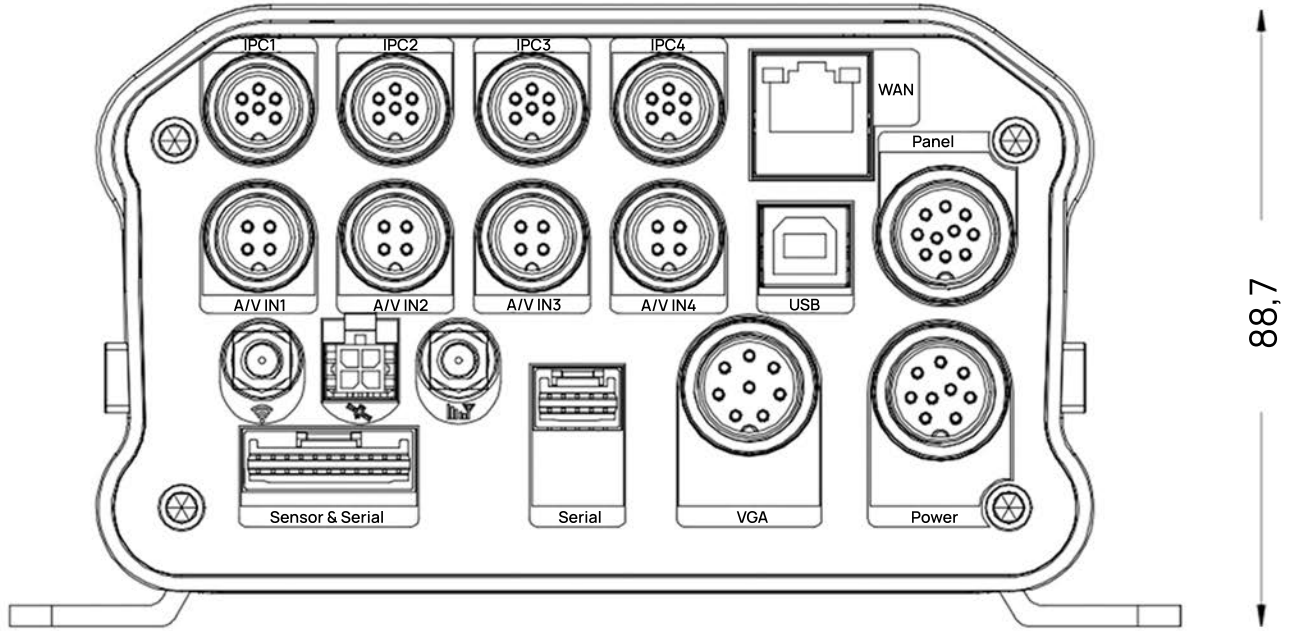


In-Cab Display

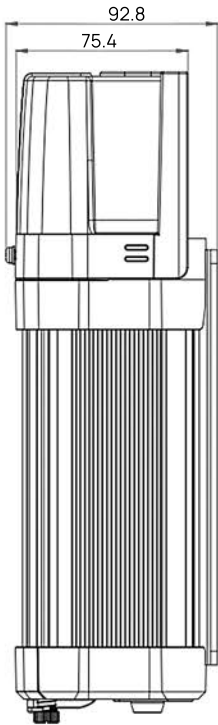


DMS-Camera

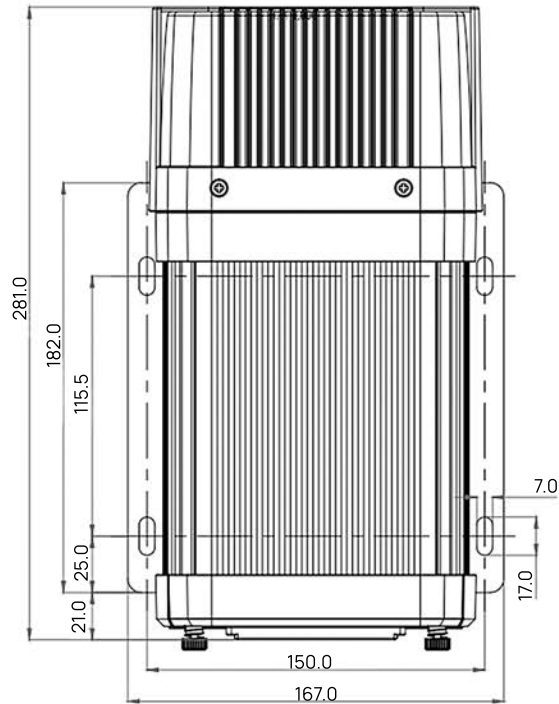
FRONT VIEW



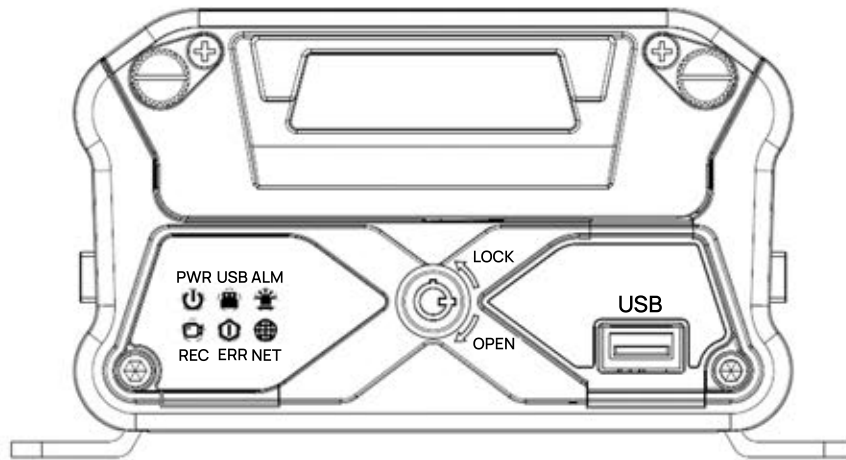
LEFT VIEW



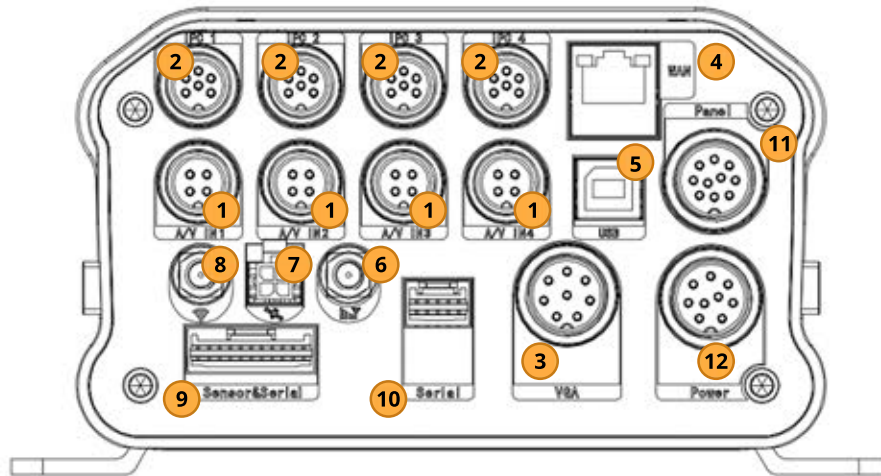
TOP VIEW





## FRONT PANEL

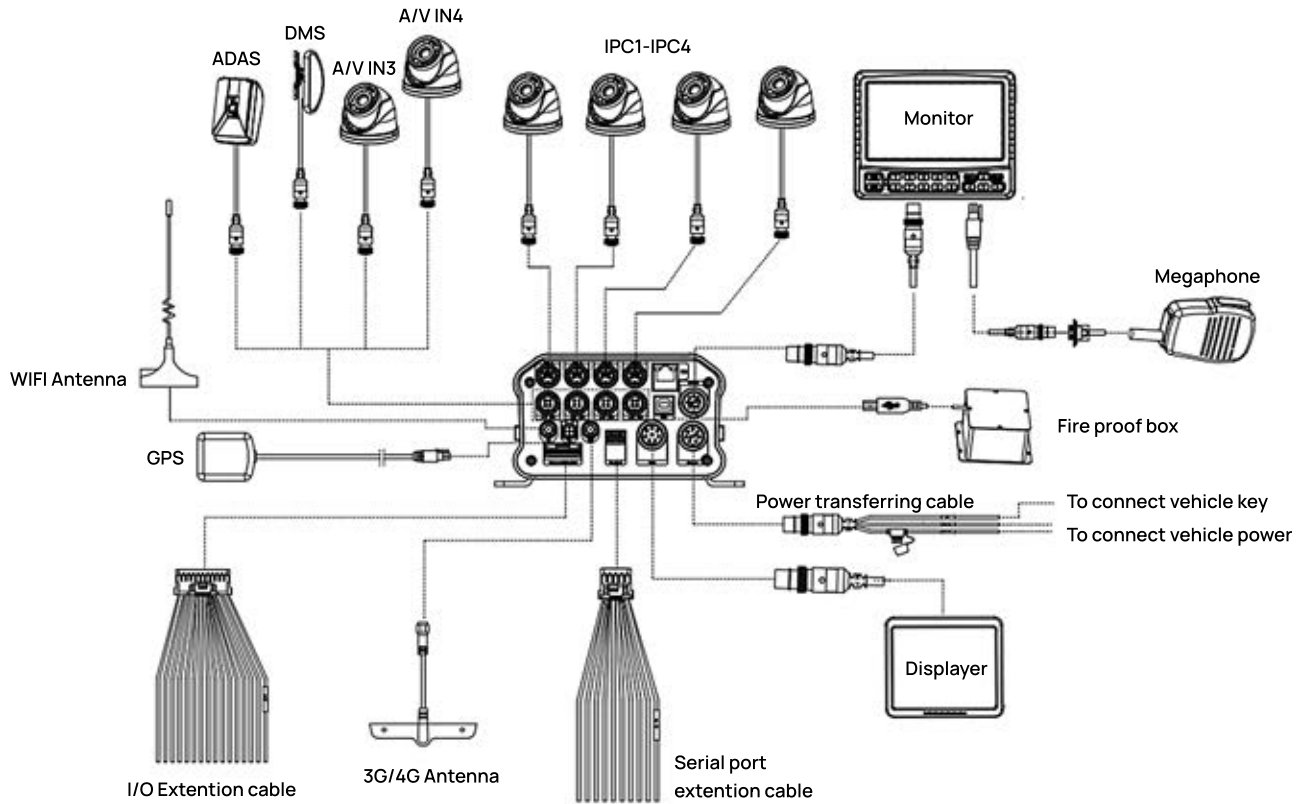


## REAR PANEL



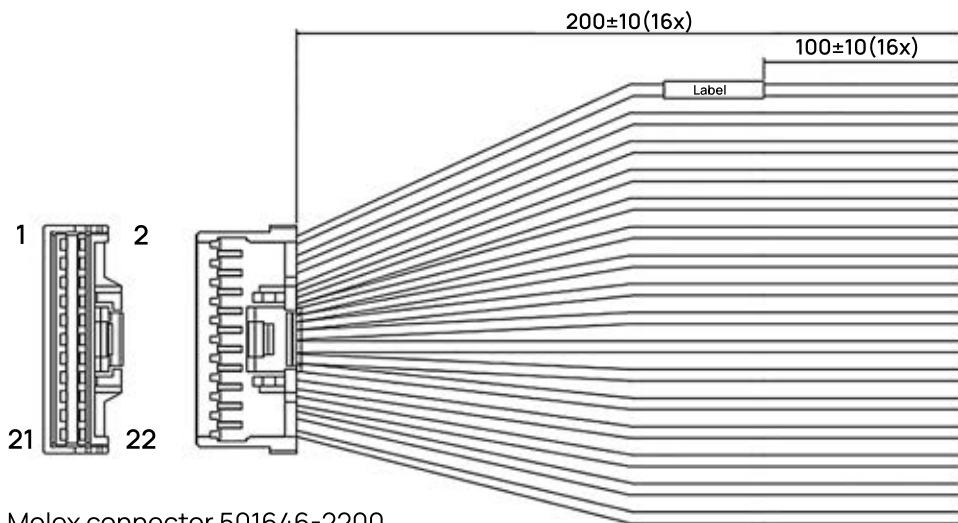
- |   |   |                                       |
|---|---|---------------------------------------|
| ① | A/V IN1~4   | Analog audio/video input ports 1 to 4 |
| ② | IPC1~4  | IPC audio/video input ports 1 to 4    |
| ③ | VGA   | VGA video port                        |
| ④ | WAN   | 100 Mbit/s network port               |
| ⑤ | USB   | USB 2.0 port (Type B)                 |
| ⑥ | 3G/4G   | antenna connector                     |
| ⑦ |  | GPS antenna connector                 |
| ⑧ |  | Wi-Fi antenna connector               |
| ⑨ | Sensor & Serial   | IO port & serial port                 |
| ⑩ | Serial  | Serial port                           |
| ⑪ | Panel   | Control panel (CP4) port              |
| ⑫ | Power   | 8-36 V DC power input                 |

### TYPICAL WIRING DIAGRAM



### DEFINITION OF EXTERNAL CABLE CONNECTOR PINOUTS

#### ALARM AND SERIAL CABLE CONNECTOR PINOUT

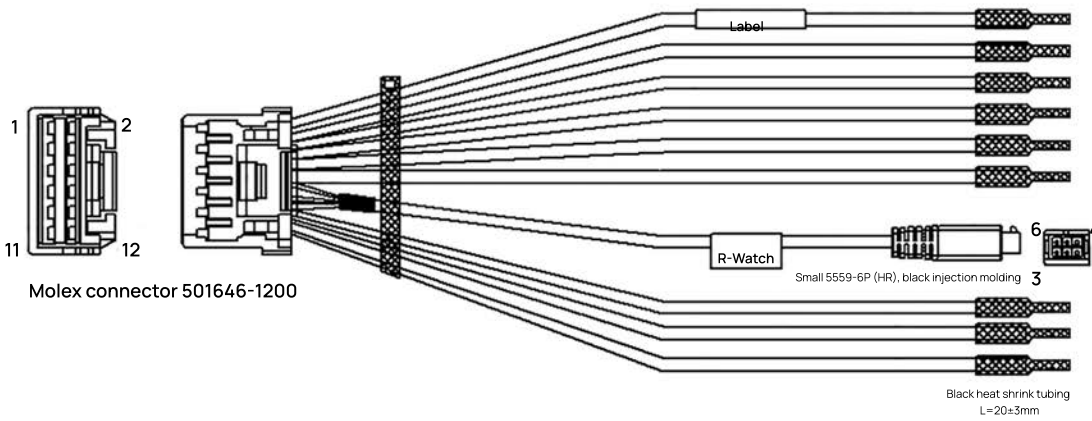


Molex connector 501646-2200

#### PINOUT

501646-2200	Label content
1	Red SENSOR IN1
3	Gray SENSOR IN2
5	Light green SENSOR IN3
7	Light blue SENSOR IN4
9	Gray SENSOR IN5
11	Orange SENSOR IN6
13	Blue/Black SENSOR IN7
15	Blue/White SENSOR IN8
17	Blue SPEED IN
12	Red/White SENSOR OUT1
14	Red/Yellow SENSOR OUT2
19	Black GND
21	Red +5V
18	Black GND
10	Green 232RX-1
8	White 232TX-1

### SERIAL CABLE CONNECTOR PINOUT



Molex connector 501646-1200

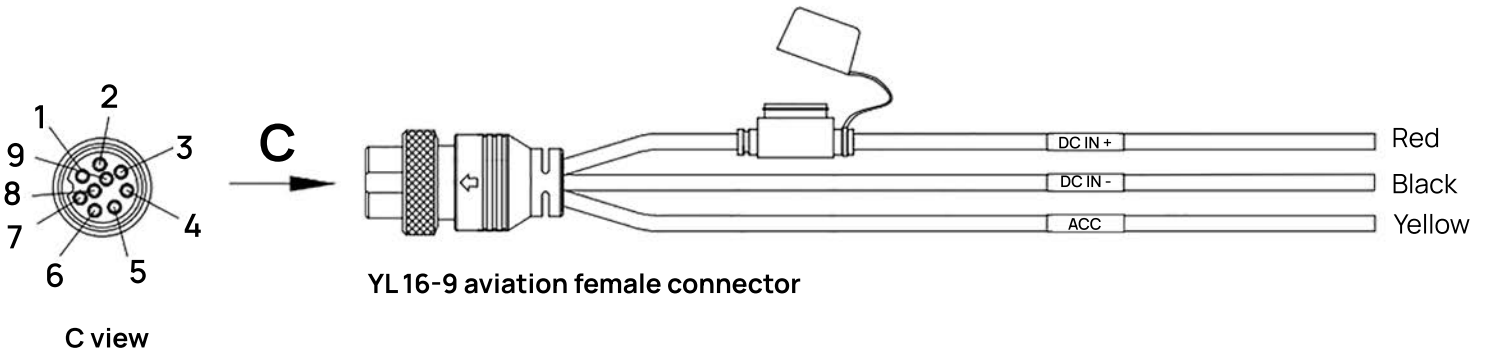
### PINOUT

501646-1200	Label content
1	White/Yellow 232TX-2
2	Green/Yellow 232RX-2
3	White/Black CAN-H
4	Green/black CAN-L
5	Red +5V
6	Black GND
8	Red +12V

501646-1200	Small 5559-6P
7	Black 3 GND
8	Red 6 +12V
9	White 4 485A-1
10	Yellow 5 485B-1
11	White/Blue 485A-2
12	Green/Blue 485B-2

### POWER CABLE CONNECTOR PINOUT



YL 16-9 aviation female connector

### Pin definitions

1	Red (DC IN+)	UL1015 16AWG
2		
3	Yellow (ACC)	UL1007 18AWG
6		
7	Black (DC IN-)	UL1015 16AWG