




LCD Screen



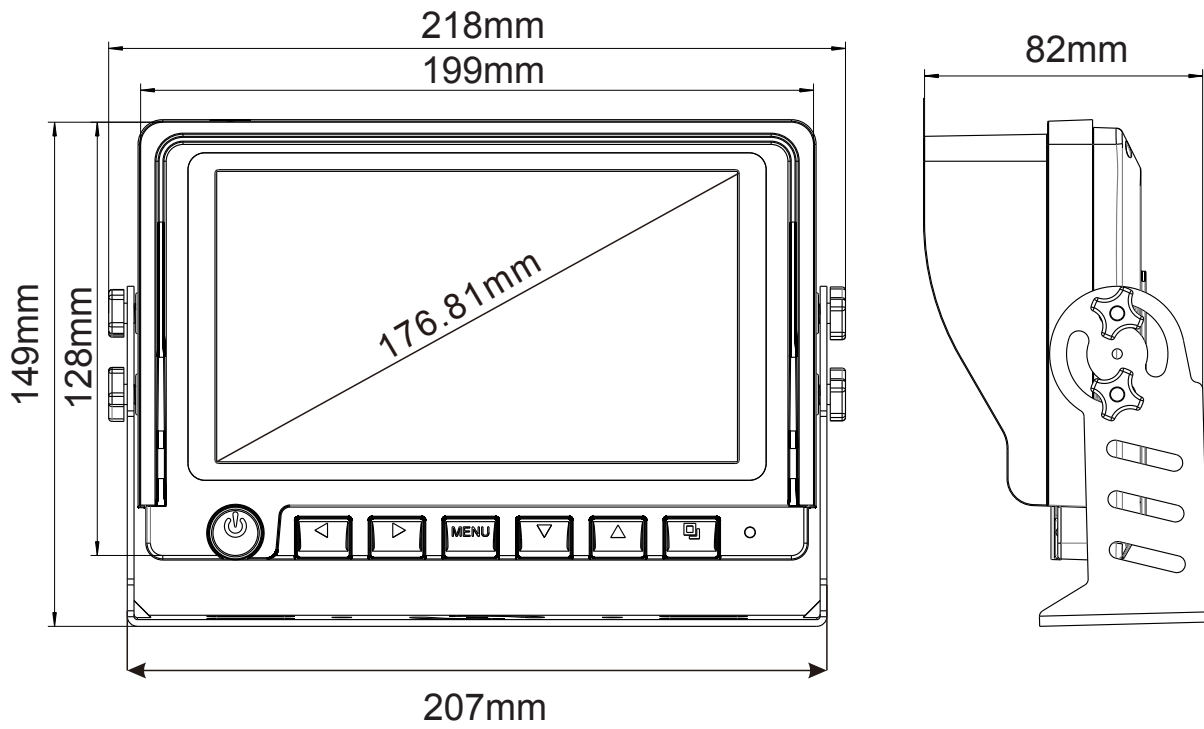
-  Built for in-cab use
-  Vibrant 7-inch display
-  Wide viewing angle

The FleetCam Pro LCD was designed with round-the-clock in-cab use in mind. Complete with a monitor shade and tilt-adjustment, this vibrant 7-inch display is the perfect companion for drivers to check blind spots and monitor cargo areas.

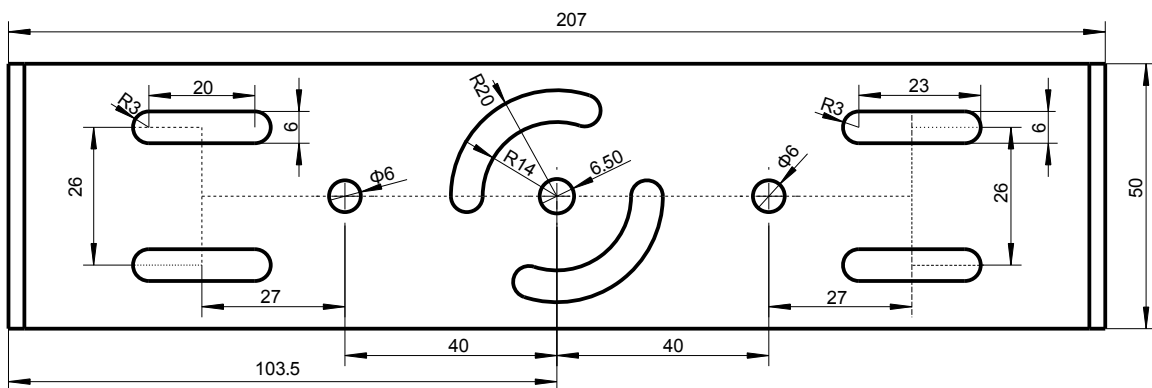
SPECIFICATION

Panel Type	TFT
Color System	AUTO(PAL/NTSC)
Display Resolution	800x480
Display Size	6.96" (Diagonal)
Brightness	450 nits
Contrast ratio	500:1
Viewing angle(LR/UD)	140° / 120°
Video Input	1.0Vp-p 75 Ω (Typ.)
Video output	1.0Vp-p 75 Ω (Option)
Power Consumption	DC12V Input 380mA (w/ audio ON)
Operating temperature	DC11V ~ DC32V
Operating temperature	-20°C ~ +70°C Max
Power output	DC13.1V/750mA

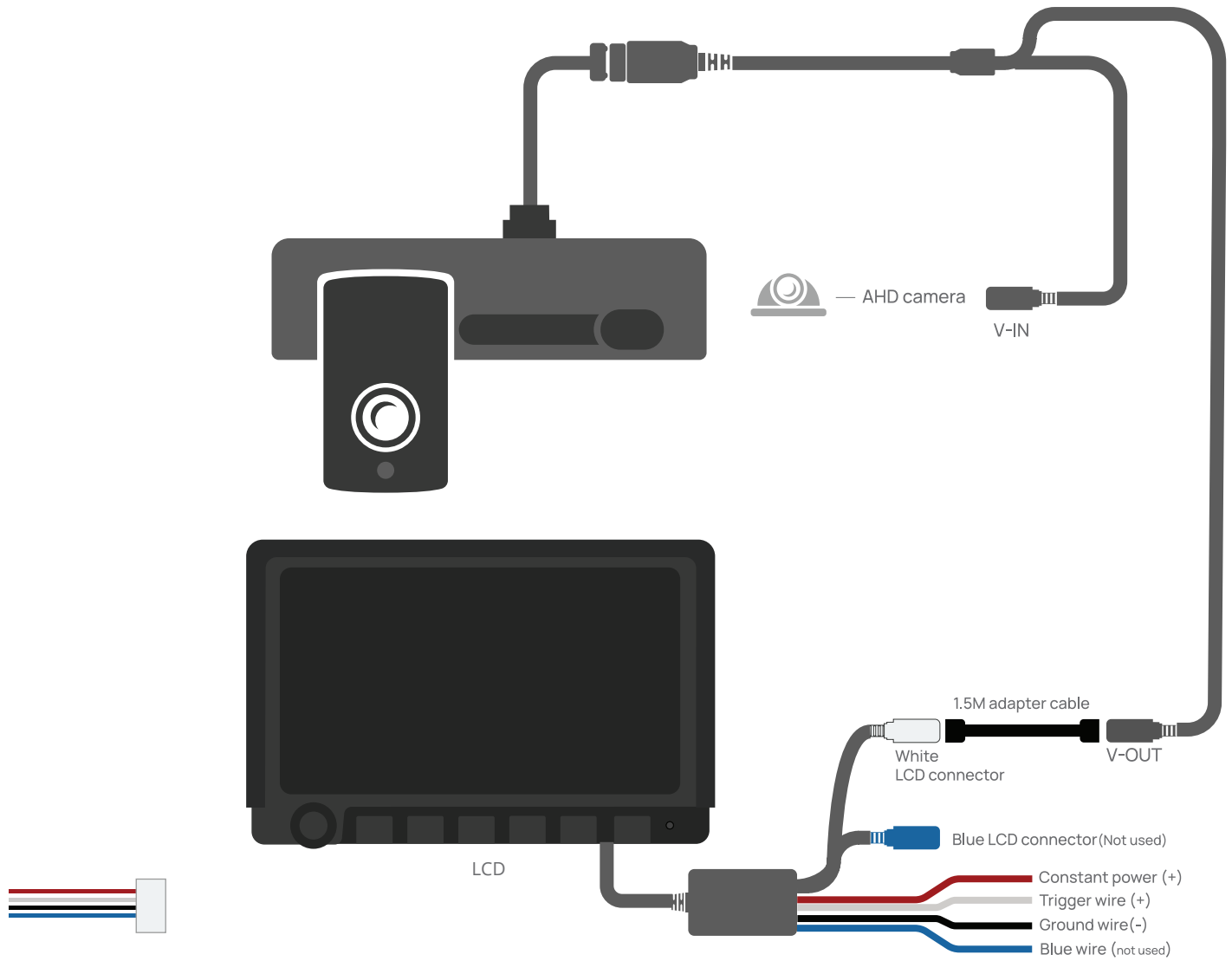
Total dimensions



Bracket dimensions



Wiring diagram



* Existing connector **must be cut off** of harness

** Trigger wire is commonly used for ignition (+) or reverse (+)