

FleetCam®

Wireless Camera

- 🚶 AI-powered pedestrian detection
- 📶 Auto ID connects tractor with trailer
- 🌙 Incredible low-light performance
- ☁️ IP69K waterproof/dustproof
- 📶 (∞) Up to 390ft wireless transmission range



The FleetCam® Wireless Camera is a state-of-the-art camera and wireless receiver system designed to improve trailer safety and security. With 390', interference-free wireless transmission, an ultra-wide 1080P video capture, and incredible low-light performance, the new camera provides drivers complete visibility behind their trailers.

AI-Powered Pedestrian Detection

Advanced AI detects pedestrians behind the trailer, improving driver awareness, mitigating potential accidents, and reducing the risk of cargo theft.

Rugged High Definition Camera

The rugged, IP69K waterproof design ensures the camera consistently captures 1080p footage with a 140° ultra-wide field of view in extreme weather conditions.

Automatically Pair Tractor and Trailer

A secure PLC connection with the in-cab transmitter provides automatic trailer identification, enhancing tracking and streamlining logistics management.

Simple, Secure Installation

Equipped with either standard mounting brackets or powerful Neodymium magnets, the camera offers a simple installation process and a reliable connection.

Camera Specification

CA42 2.0



GENERAL

Sensor	1/2.9" 2MP CMOS
Resolution	1920(H)x1080(V)
Minimum Illumination	Color: 0.1Lux/F1.2; Black&White; 0Lux (IR LED ON)
Electronic Shutter	1/60Second-1/5000Second
Day/Night shift Mode	Auto IR
Wide Dynamic	DWR≥80db
Black-light Compensation	Support
S/N	≥42db
IR	< 15m

VIDEO FORMAT

Video Compression Standard	H.264
Image Resolution	Main Stream:1080p @ 30fps
Audio	N/A

IMAGE

Maximum Image Size	1920x1080
Highest Frame Rate	30FPS
Image Setting	Chroma, Contrast, Saturation, Acutance

PERFORMANCE

Utility Frequency	2412Mhz--2472Mhz
Transmission Range	300M(Open Environment)
Power	20dbm±1
Wireless bandwidth	12Mbps
Spread Spectrum	Pwif OFDM
Video Latency	Within 200ms
Black-light Compensation	Support
S/N	≥42db
IR	< 15m
Lens	2.8mm M12 Lens, Fixed Aperture F2.2 (FOV H: 104°, V: 55°)

OTHER

Anteroposterior pairing	have wireless camera and wireless receiver automatically matching function
ID identifier	with built-in ID code passthrough function
Operational Temperature	-30°C - +70°C
Operation Humidity	0% - 90%
Power Supply	DC8-32V
Waterproof Class	IP69K
Adjustable Angle in Vertical	0°- 270°
Power Consumption	Infrared off 3.3W;Infrared on 4.2W (Added thermal defogging module 3W)
Dimension	L92.50 x W60 x H78.5mm

Receiver Specification

CA42B 2.0



VIDEO FORMAT

Video Compression Standard	H.264
Video Output format	AHD (Impedance75Ω)
Image Resolution	Main stream:1080p @ 30fps

NETWORK

Utility Frequency	2412Mhz - 2472Mhz
Transmission Range	300M(Open Environment)
Receiver sensitivity	-86DB
Wireless bandwidth	12Mbps
Spread Spectrum	Pwif OFDM
Video Latency	Within 200ms

IMAGE

Maximum Image Size	1920x1080
Highest Frame Rate	30FPS

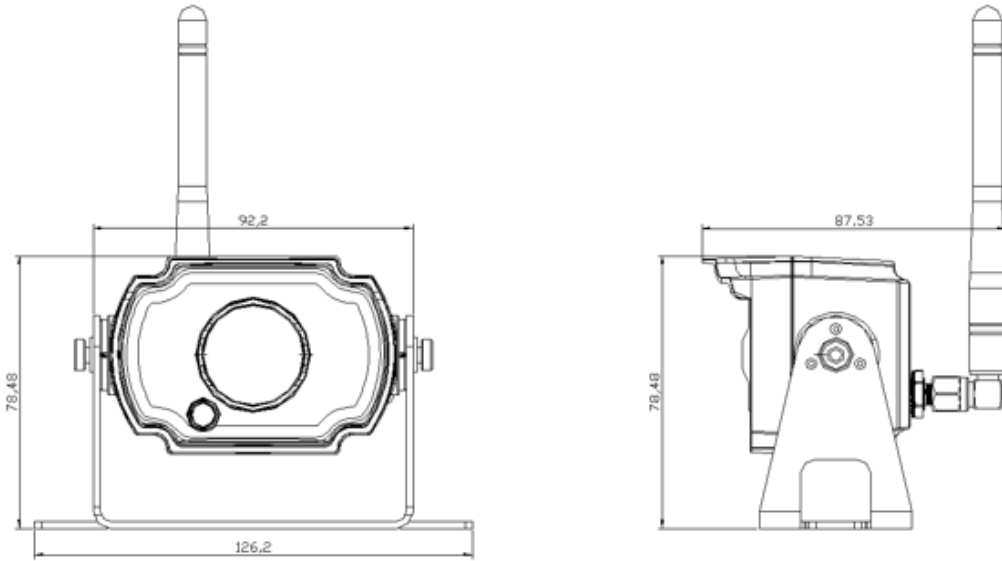
OTHER

Anteroposterior pairing	have wireless camera and wireless receiver automatically matching function
Operational Temperature	-20°C- 70°C
Operation Humidity	0% - 90%
Power Supply	DC8-16V
Waterproof Class	IP69K
Power Consumption	MAX:5.6W
Dimension	L92.50 x W60 x H78.5mm

Dimensions (mm)

CA42 2.0 / CA42B 2.0

1. Camera



2. Receiver

